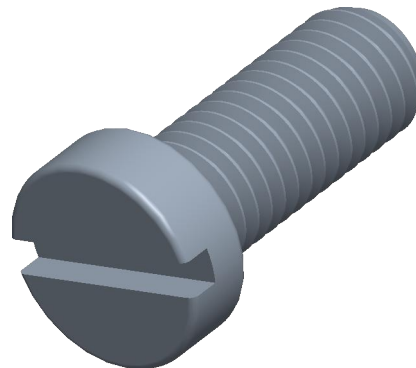


Notes:

1. **Specification:** DIN 84
2. **Thread Diameter + Pitch:** M10X1.5
3. **Length:** 25mm
4. **Thread Amount:** Full Thread
5. **Material:** Brass
6. **Finish:** Plain
7. **Head Diameter:** 16mm
8. **Head Height:** 6mm
9. **Drive:** Slotted
10. **Type Screw/Bolt:** Cheese Head Bolt/Screw
11. **Thread Direction:** Right Hand
12. **Measurement System:** Metric
13. **Measurement System:** Metric



virtual3dcatalog.com		THIRD ANGLE PROJECTION	
This file and the related information are provided for reference only and may change without notice. Manufacturer does not guarantee the accuracy, completeness, or suitability of this file or the information provided. You are responsible for how you use this file and its information.		This document is the property of Manufacturer. The information in it may not be copied, shared, or given to any third party without written permission from Manufacturer.	
TITLE Cheese Head Screws		DESCRIPTION M10 Slotted Cheese Head Corrosion Resistant Brass DIN 84	
Sheet Size	PART NUMBER	Rev.	ISSUED
A	V3D-CHSL10X25BRS	05	2026-04-13
SCALE: 3.378		Unless otherwise specified Dimensions are in MILLIMETERS	