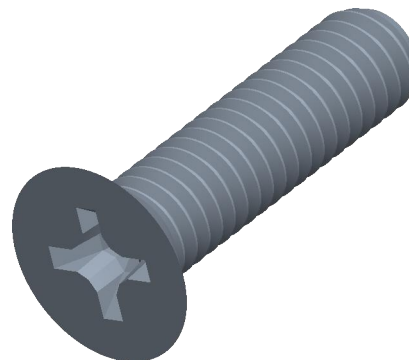


Notes:

1. **Specification:** DIN 965
2. **Thread Diameter + Pitch:** M2.5X0.45
3. **Overall Length:** 10mm
4. **Thread Amount:** Full Thread
5. **Material:** A2-50 Stainless Steel
6. **Finish:** Plain
7. **Head Diameter:** 4.7mm
8. **Head Height:** 1.5mm
9. **Drive:** H1 / Phillips #1
10. **Type Screw/Bolt:** Flat Head Bolt/Screw
11. **Thread Direction:** Right Hand
12. **Measurement System:** Metric
13. **Measurement System:** Metric



virtual3dcatalog.com		THIRD ANGLE PROJECTION	
This file and the related information are provided for reference only and may change without notice. Manufacturer does not guarantee the accuracy, completeness, or suitability of this file or the information provided. You are responsible for how you use this file and its information.		This document is the property of Manufacturer. The information in it may not be copied, shared, or given to any third party without written permission from Manufacturer.	
TITLE Flat Head Screws		DESCRIPTION M2.5 Flat Head Phillips Stainless Steel A2 DIN 965	
Sheet Size	PART NUMBER	Rev.	ISSUED
A	V3D-MSF2.5X10SS	05	2026-04-10
SCALE: 10.799		Unless otherwise specified Dimensions are in MILLIMETERS	